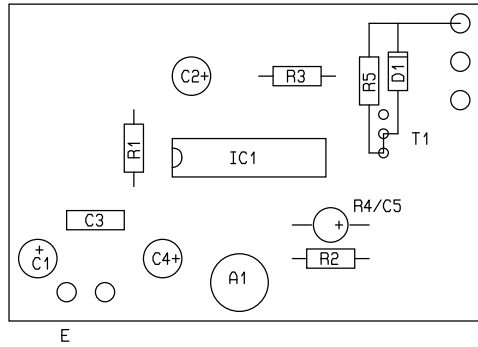
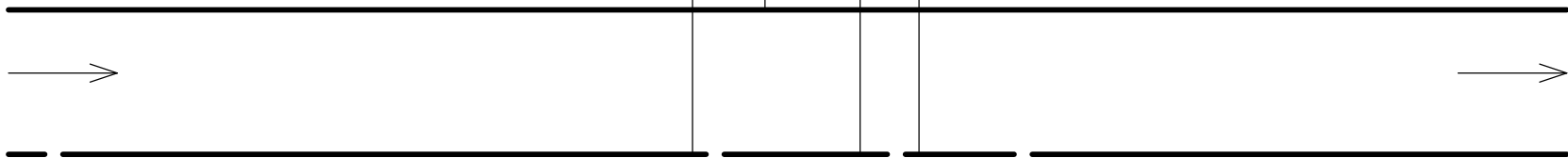
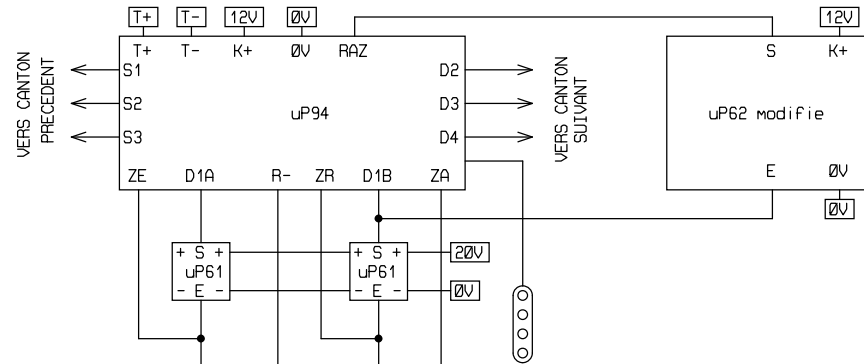


MODIFICATION uP62



T1 devient R5 = 10K + D1 = 1N4148

R4 devient C5 = 22MF



- [T+] = + alim traction
- [T-] = - alim traction
- [20V] = + alim kit 61 (20V)
- [12V] = + alim kit (12V)
- [0V] = masse alim kit (12V)

REPRODUCTION INTERDITE

ARRET GARE TEMPORISE PROTEGE	Le 16-05-2013	PLAN 01
MICROPROCESSOR 1 Place de la fontaine F70190 BOULT	201305162-00	